



PREMIUM VELCURO® ELASTIC BREATHABLE HEAVY WEIGHT BANDAGE WITH VELCRO FOR LIGHT COMPRESSION



"Best Practice for Light Compression featuring exclusive knit design that provides consistent, comfortable controlled compression"

"Our top of the range Elastic Bandage with Velcro"

Two Velcro closures, a Velcro start strip at the beginning and a Velcro closure at the end of the bandage keep this wrap secure and in place.

These bandages are a high quality non-slip compression and support bandage that use no pins, clips, or tape.

Velcuro® is an elastic bandage with a nominal un-stretch length of 1.7 meters and a fully stretch length of 4.5metres.

It is available in widths of 5, 7.5, 10 and 15cm.

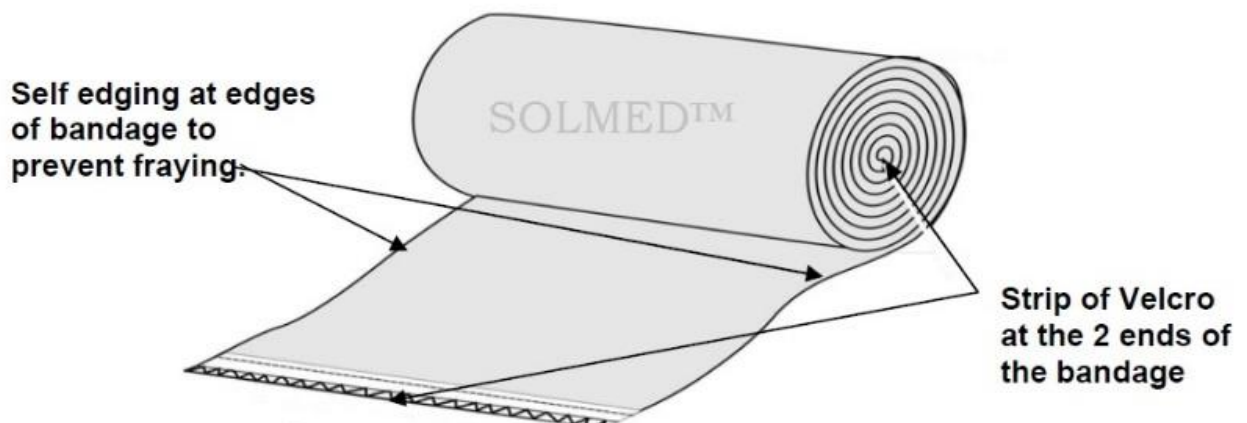
There is a Velcro strip at both ends of the bandage for Velcuro® type self-closure.

The bandage provides support for medical devices such as a dressing or splint.

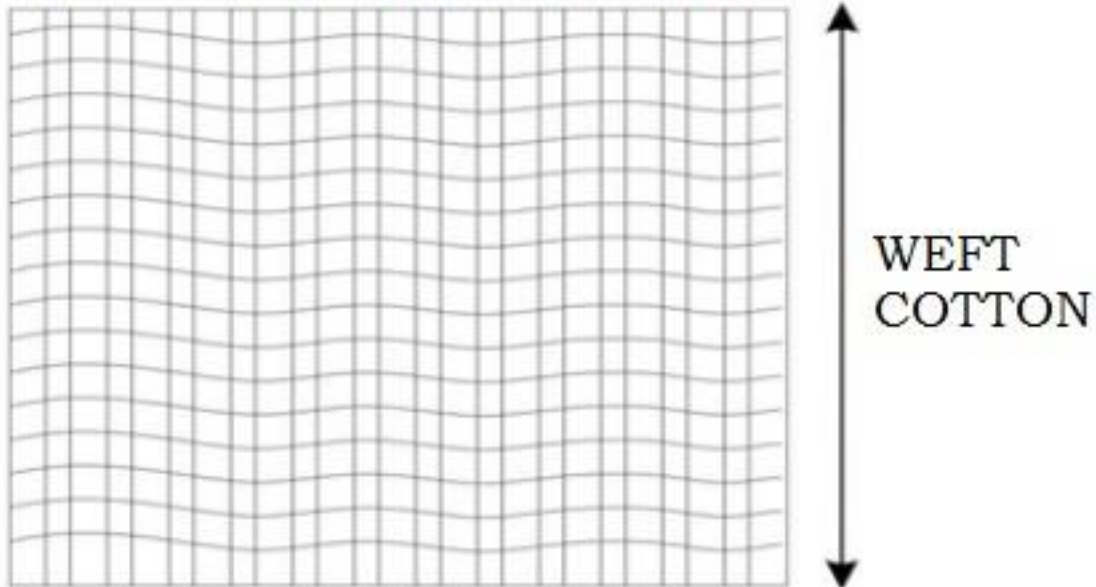
It can be used on its own as a wrap to provide support to the body.

The bandage can also be used to reduce swelling which eases pain, or to secure ice packs on sports injury.

The bandage is not recommended to be applied directly onto open wounds.



WARP: POLYESTER & SPANDEX



- The cotton and poly blend yarn is breathable, durable and absorbent and will stretch up to 210% without loss of elasticity.
- Washable and Elasticity is renewed with washing
- Suitable for retention of dressings
- First Aid Essential
- Ideal for Body Wraps & Spa Treatments
- Bandage ends are scalloped and rolled to help prevent roll and venous tourniquet effect
- Generous secure Velcro at both ends to eliminate clips
- CE Certified
- Latex Free
- TGA 134176



SOLMED PTY LIMITED – www.solmed.com.au

Unit 10, 42-44 Abel Street, Penrith NSW 2750

PH: 02-47210371 Email: sales@solmed.com.au